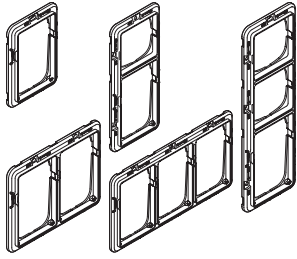


## LK FUGA® Technical frame containing 1½ module



560D0015 (1x1½M), 560D0025 (2x1½M),  
560D0035 (3x1½M), 560D0215 (2½M),  
560D0315 (3½M)

### Application

The technical frame is used for mounting a 1½ module FUGA-insert. The technical frame is placed between the backing surface (e.g. wall) and the design frame.

### Function

The technical frame serves two purposes:

1. Enables that the design frame can be mounted or demounted without risk of electrical power.

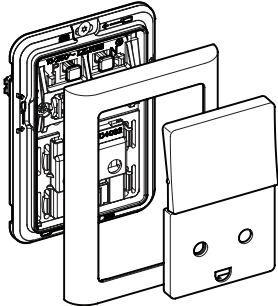
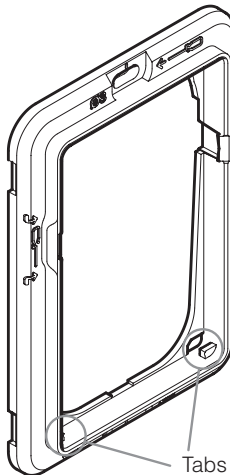


fig. 1

2. Insure that the insert is fixed even when subjected to large pull-out force.



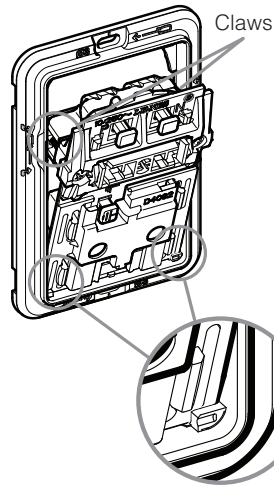
Tabs

## Mounting

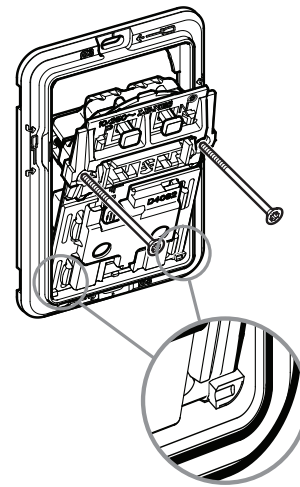
Read the instructions of the product before mounting them together with the technical frame.

### Mounting with the tabs, 3 ways of mounting

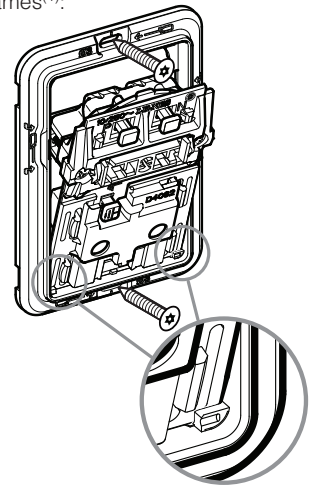
Mounting with claws:



Mounting with switch screws:



Mounting with screws for technical frames<sup>(1)</sup>:



Mount the design frame, rockers and cover. (fig. 1).

If mounting with claws or switch screws there can also be mounting with screws (020S0516) for the technical frames.

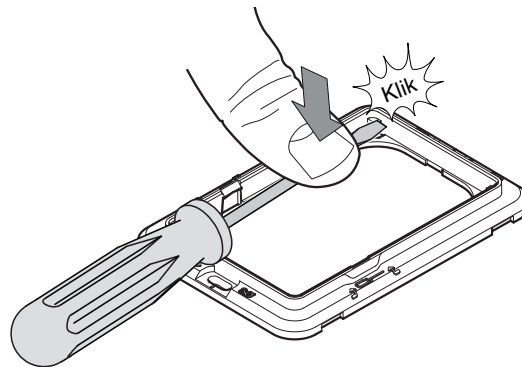
### Mounting without tabs

For these products the tabs must be removed before mounting begins.

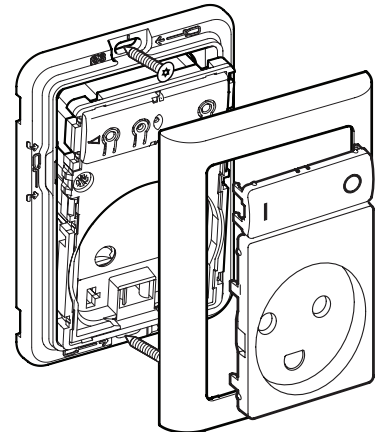
|  |                                  |  |                                       |  |   |
|--|----------------------------------|--|---------------------------------------|--|---|
|  | 507DA503<br>Push button 6 SL     |  | 507DA530<br>Alarm Push button         |  | 506DA712 Timer Socket outlet<br>(always use claws or switch screws for fastening)       |
|  | 507DA513<br>Push button 6 SL/led |  | 505DA003<br>Wireless Push button 6 SL |  | 505DA501<br>Wireless Socket outlet<br>(always use claws or switch screws for fastening) |

A=0: No cover, A=5: Light grey, A=6: White, A=8: Charcoal grey

Place the frame on a solid backing, eg. wooden board. Break off the tabs with a screwdriver as shown in the picture.



Click the insert into the technical frame and follow one of the above 3 ways of mounting.



<sup>(1)</sup> All new FUGA breakwall and concrete wall installation boxes are delivered with amount of screw towers. Frontmounted installation boxes delivers with integrated screw towers.

Scan and read the instruction for 1½ M breakwall box:

Screw tower

